

# 1 $\phi$ Power Regulator / Solid State Relay



## 1 $\phi$ Power Regulator (SP48P18 / SP48P26 / SP48P36 / SP48P46)

### FEATURES

- Slim size design, no need Aux. Power, with easy wiring, control only by Input Signal 4~20mA
- DIN Rail design with easy installation/removing/moving
- By 2 Thyristor design with high voltage and current resistant
- With indication for over temperature and protection
- Excellent Heat Sink design available with high capability
- All models with wide voltage range 180 ~ 480VAC

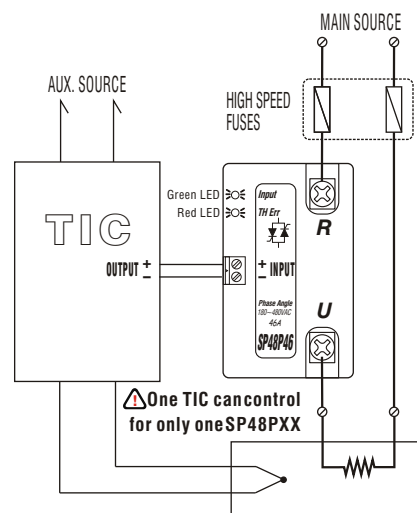
Model No.	SP48P18	SP48P26	SP48P36	SP48P46
Rated Current	18A	26A	36A	46A
Rated Voltage	180 ~ 480VAC	180 ~ 480VAC	180 ~ 480VAC	180 ~ 480VAC
Applicable Fuse	FWC-25A10F	FWC-32A10F	45FT	63FE
Outline Dimension	90L*54W*98H	130L*54W*98H	90L*54W*98H	130L*54W*148H
Weight	0.5KG	0.6KG	0.7KG	1.0KG

\* Above Fuses coded are according to the products of BUSSMANN, customers can also have them with comparable substitutes.

### ORDER CODE

**SP 48 P 18**

- Single Phase (SCR)
- Rated Voltage (180~480VAC)
- Phase control mode
- Rated Current



**Input (LED):** Lamp's illumination is proportional to input signal  
**TH Err (LED):** This lamp lights when Heat Sink with temperature over 90°C, the SCR will stop output. After the temperature is cooled under 80°C, the lamp will be off and the SCR works without output. So, pls check the ambient temperature with proper cooling.

**CAUTION (For SP & SR series)**

- The unit must be installed by upward ventilated for the hot air or mounting a cooling fan for better heat sinking.
- Ambient under 30°C is available for full 100% load, if not please refer to the following table for recommended current.
- Please cogitate power fluctuantrate and heater error for order with +20% grade.

Ambient Temperature (°C)	Rated Current (%)
30	100
35	90
40	80
45	70
50	60
55	50

## 1 $\phi$ Solid State Relay

### ORDER CODE

**SR 48 Z 46**

- Single Solid State Relay
- Rated Voltage (24~480VAC)
- Zero-Crossing mode
- Rated Current

### FEATURES

- Slim size design, with easy wiring
- DIN Rail design with easy installation/removing/moving
- By 2 Thyristor design with high voltage and current resistant
- With indication for over temperature and protection
- Excellent Heat Sink design available with high capability
- All models with wide voltage range 24 ~ 480VAC

Model No.	SR48Z18	SR48Z26	SR48Z36	SR48Z46
Rated Current	18A	26A	36A	46A
Rated Voltage	24 ~ 480VAC	24 ~ 480VAC	24 ~ 480VAC	24 ~ 480VAC
Applicable Fuse	FWC-25A10F	FWC-32A10F	45FT	63FE
Outline Dimension	90L*54W*98H	130L*54W*98H	90L*54W*98H	130L*54W*148H
Weight	0.5KG	0.6KG	0.7KG	1.0KG

\* Above Fuses coded are according to the products of BUSSMANN, customers can also have them with comparable substitutes.

