

# SOLID STATE RELAY

## FEATURES

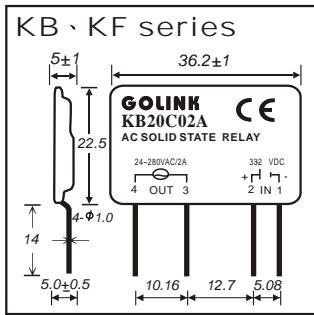
- ✓ High reliability & Long life
- ✓ Safety, no switching sparks & contact points
- ✓ Low input power consumption
- ✓ No noise & mechanical Damage
- ✓ Needs no need mechanical motion, electronic devices
- ✓ Fast reaction, fits in high frequency motions



SERIES	Model NO.	Max. Load CURRENT	Load Voltage	Blocking Voltage	Input Control Voltage	Must Turn Off Voltage
<b>KB</b>  DC → AC	<b>KB20C02A</b>	02A, 03A, 04A, 06A	24-280VAC	600VAC <sub>PEAK</sub>	3-32VDC	1VDC
	<b>KB40C04A</b>	04A, 06A	24-480VAC	1200VAC <sub>PEAK</sub>		
<b>IO-</b>  DC → AC	<b>IO-2-20C02A</b>	1/2 / 4 / 8 ports 02A, 04A	24-280VAC	600VAC <sub>PEAK</sub>	3-32VDC	1VDC
	<b>IO-4-40C04A</b>	1/2 / 4 / 8 ports 02A, 04A	24-480VAC	1200VAC <sub>PEAK</sub>		
<b>KD</b>  DC → AC	<b>KD20C25AX</b>	10A, 25A, 40A, 50A, 75A, 90A, 100A	24-280VAC	600VAC <sub>PEAK</sub>	4-32VDC	1VDC
<b>KD</b>  DC → AC	<b>KD40C75AX</b>	10A, 25A, 40A, 50A, 75A, 90A, 100A	48-480VAC	1200VAC <sub>PEAK</sub>	4-32VDC	1VDC
<b>KF</b>  DC → DC	<b>KF0602D</b> <b>KF0604D</b>	2A 4A	3-60VDC	80VDC	3-32VDC	1VDC
<b>IO-X</b>  DC → DC	<b>IO-2-0602D</b>	1/2 / 4 / 8 ports 02A	3-60VDC	80VDC	3-32VDC	1VDC
	<b>IO-4-0604D</b>	1/2 / 4 / 8 ports 04A	3-60VDC	80VDC		
<b>KG</b>  DC → DC	<b>KG1005D</b>	05, 10, 25, 40, 50, 75	5-120VDC	140VDC	3-32VDC	1VDC
	<b>KG2075D</b>	10, 25, 40, 50, 75	5-240VDC	300VDC		
<b>KL</b>  AC → AC	<b>KL20C40AX</b>	10A, 25A, 40A, 50A, 75A, 90A, 100A	24-280VAC	600VAC <sub>PEAK</sub>	80-280VAC	10VAC
<b>KL</b>  AC → AC	<b>KL40C90AX</b>	10A, 25A, 40A, 50A, 75A, 90A, 100A	48-480VAC	1200VAC <sub>PEAK</sub>	80-280VAC	10VAC
<b>KR</b>  VR → AC	<b>KR2025AX</b>	10A, 25A, 40A	24-280VAC	600VAC <sub>PEAK</sub>	VR500KW	Phase Control
	<b>KR4040AX</b>	25A, 40A	48-480VAC	1200VAC <sub>PEAK</sub>	VR1M W	
<b>NEW!</b>  <b>KC</b>	<b>KC2025AX</b>	10, 25, 40, 50, 75, 90A	200-250VAC	600VAC <sub>PEAK</sub>	4-20mA or 0-10VDC	Analog Switching
	<b>KC4075AX</b>	10, 25, 40, 50, 75, 90A	300-480VAC	1200VAC <sub>PEAK</sub>		
<b>3 PHASE - SOLID STATE RELAY</b>						
 Heater Load DC → AC	<b>K3PH20C25DA</b>	Load Current 25A, 40A, 50A, 75A, 90A, 100A	Load Voltage 24-280VAC	Blocking Voltage 600VAC	Control Voltage 6-32VDC	Must Turn off Voltage 3VDC
	<b>K3PH40C75DA</b>	25A, 40A, 50A, 75A, 90A, 100A	48-480VAC	1200VAC	12-32VDC	9.5VDC
 Heater Load AC → AC	<b>K3PH20C25AA</b>	25A, 40A, 50A, 75A, 90A, 100A	28-280VAC	600VAC	80-280VAC	10VAC
	<b>K3PH40C75AA</b>	25A, 40A, 50A, 75A, 90A, 100A	48-480VAC	1200VAC	80-280VAC	10VAC
 Inductive Load	<b>K3PI20C25DA</b>	25A, 40A, 50A, 75A, 90A, 100A	28-280VAC	600VAC	6-32VDC	3VDC
	<b>K3PI40C40DA</b>	25A, 40A, 50A, 75A, 90A, 100A	48-480VAC	1200VAC	12-32VDC	9.5VDC
	<b>K3PI20C75AA</b>	25A, 40A, 50A, 75A, 90A, 100A	28-280VAC	600VAC	80-280VAC	10VAC
	<b>K3PI40C90AA</b>	25A, 40A, 50A, 75A, 90A, 100A	48-480VAC	1200VAC	80-280VAC	10VAC

# SOLID STATE RELAY & Accessories

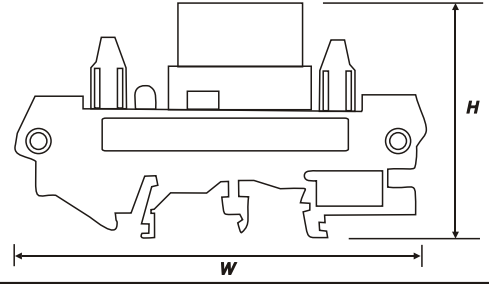
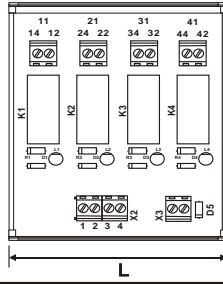
Outline Dimension (Unit: mm)



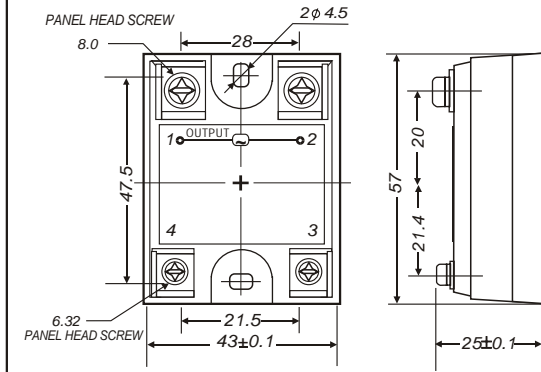
**IO-X series**

Note): X=2PORT / 4PORT / 8PORT

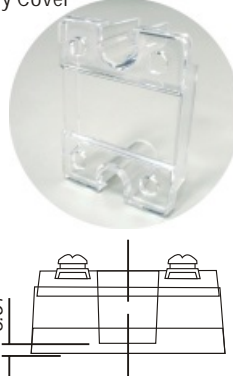
Model No.	Dimension (LxWxH)mm
IO-2-20C04A	34x85x51
IO-4-20C04A	64x85x51
IO-8-20C04A	124x85x51
IO-2-0604D	34x85x51
IO-4-0604D	64x85x51
IO-8-0604D	124x85x51



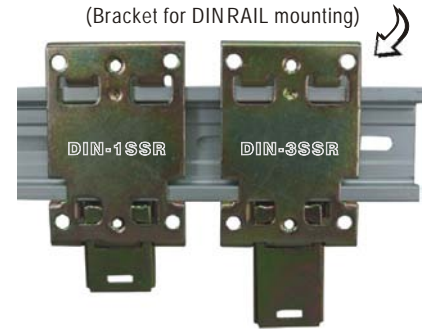
**KD · KG · KL · KR series**



Option Accessory Model: **SC-1**  
Safety Cover

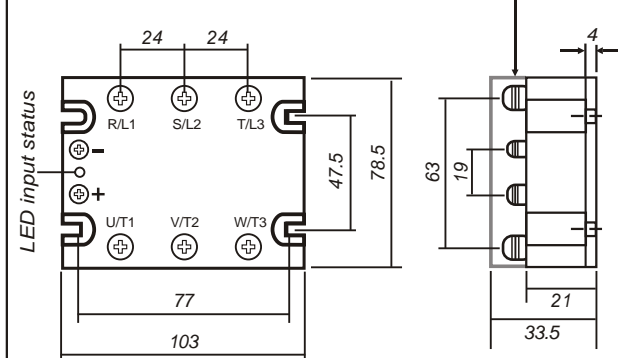


Option Accessory Model: **DIN-1SSR**  
Model: **DIN-3SSR**

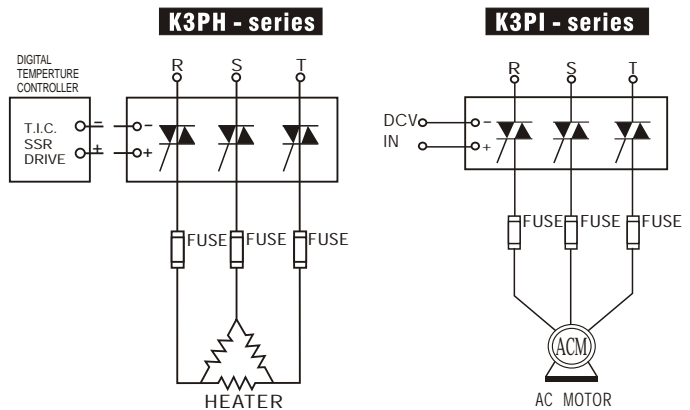


**K3PH · K3PI series**

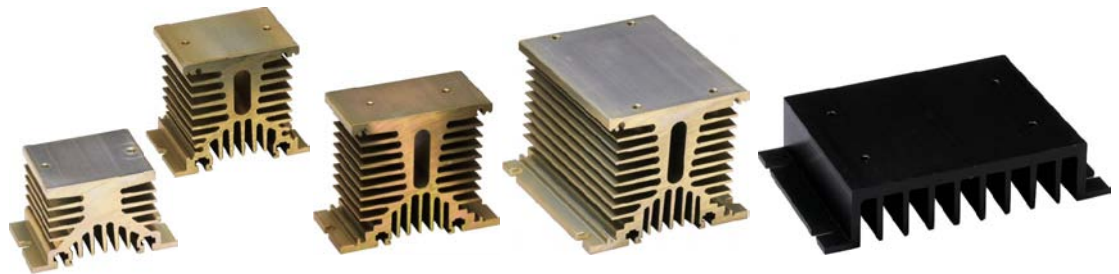
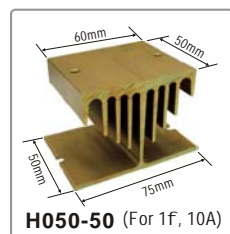
(Standard Package with Safety Cover included)



Example of 3 SSR Application



## HEAT SINK



Model No.	For 1F SSR	Model No.	For 1F SSR	Model No.	For 1F SSR	Model No.	For 3F SSR	Model No.	For 3F SSR
H060-50	10A - 15A	H080-50	25A	H100-45	10A	H104-104	25A-40A	H197-100	25A, 40A
H060-80	25A	H080-100	40A	H100-70	25A	H104-104F	40A-50A		
H060-100	40A	H080-150	50A	H100-100	40A	H104-120F	50A-75A		
H060-120	50A			H100-120	50A	H104-150F	75A-100A		
H060-150	75A			H100-150	75A, 100A		"F" with fan (110V or 220Vac)		